

GOLD fren

®



AIRCRAFT

wheels • brakes • accessories

GOLDFREN, THE BRAND PRODUCING BRAKES, BRAKE COMPONENTS AND AIRCRAFT PARTS, MADE IN CZECH REPUBLIC SINCE 1991

The company GOLDfren was established in 1991 as a family company producing sintered brake pads mainly for motorbikes. Since 1993 we produce, among others, brake linings, brake calipers, brake pumps, brake hoses and wheels for your aircraft.

We manufacture sintered brake pads, brake linings, clutches and clutch segments, brake hoses, brake discs and brake calipers and other braking components not only for motorcycles and ATVs but also for other vehicles such as cars, racing cars, karts, MTB, aircraft, UL – ultralights, cranes and industrial machinery. In 2012 we added to our production aluminum aircraft wheels – nose wheels, tailwheels and main wheels with brakes. For all our products we offer wide range of components. For braked wheels we have also complete sets and kits.

We make sure our products are the best quality and pass all the safety standards.

We produce all our products with respect to the environment.

The production, development and sale of brake linings and brake components is certified according to the standard ČSN EN ISO 9001:2016

AIRCRAFT WHEELS

GOLDfren Aircraft Wheels are manufactured in the Czech Republic using aerospace grade aluminum and machined by the latest and most advanced CNC processes, which allow us to achieve a great lifespan and the best possible quality of the product.

GOLDfren also manufactures aircraft shafts, brake calipers, brake linings and other brake system accessories for aircraft, which must pass the same high standards.






COLOURS

All parts of aircraft wheels GOLDfren are anodized as standard with black colour finish. Other colours are available on request for most models. Colours in this catalogue are only for illustrative purposes and the colours might vary slightly depending on the anodizing process.





BUSH TAILWHEELS

P/N	OLD P/N	DIMENSION	COLOURS
AW4-50TT	x	5.00 - 4" (TUBE TYRE)	

NOSE WHEELS

P/N	OLD P/N	DIMENSION	COLOURS
AW4-35	RIM002	3.50 - 4"	
AW6-40	RIM004	4.00 - 6"	
AW6-40F	RIM004	4.00 - 6" (Different fittings to AW6-40F)	
AW6-40D	RIM003	4.00 - 6" (Offset wheel for Dynamic)	
AW6-60	RIM006	6.00 - 6"	

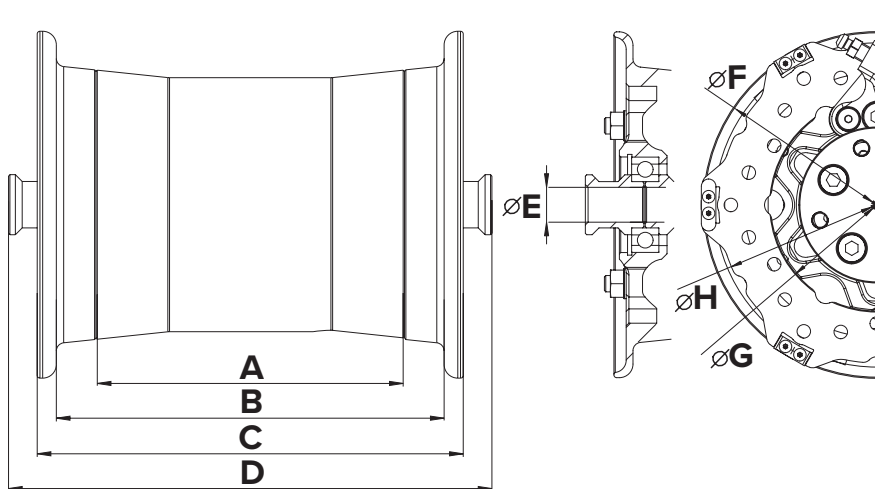
WHEELS WITH BRAKE

P/N	OLD P/N	DIMENSION	CALIPER	DISC	LINING	COLOURS
AW5-40B	RIM010	4.00 - 5"	CP014	400 - 528	915	
AW6-40B	RIM008	4.00 - 6"	CP014	400 - 527	955	
AW6-60B	RIM005	6.00 - 6"	CP014	400 - 527	955	
AW6-60B-P	RIM005	6.00 - 6"	2x CP014	400 - 527	955	

WHEEL DIMENSIONS

P/N	A	B	C	D		Ø E	Ø F	Ø G	Ø H
AW4-50TT (RIM015)	113 mm (4,45")	142 mm (5,59")	156 mm (6,14")	177 mm (6,97")		12,8 mm (0,50")	127 mm (5")		
AW4-35 (RIM002)	43 mm (1,69")	58 mm (2,28")	74 mm (2,91")	111 mm (4,37")		8,3 mm (0,33")	129 mm (5,08")		
AW6-40 (RIM004)	54 mm (2,13")	78 mm (3,07")	97 mm (3,82")	140 mm (5,51")		20,1 mm (0,79")	188,3 mm (7,41")		
AW6-40F (RIM004)	54 mm (2,13")	78 mm (3,07")	97 mm (3,82")	116 mm (4,57")		20,1 mm (0,79")	188,3 mm (7,41")		
AW6-40D (RIM003)	54 mm (2,13")	78 mm (3,07")	97 mm (3,82")	< C		20,1 mm (0,79")	188,3 mm (7,41")		
AW6-60 (RIM006)	100 mm (3,94")	124 mm (4,88")	143 mm (5,63")	160 mm (6,3")		17,1 mm (0,67")	188,3 mm (7,41")		
AW5-50B (RIM010)	54 mm (2,13")	78,5 mm (3,09")	111 mm (4,37")	140,9 mm (5,55")	155,9 mm (6,14")	16,0 mm (0,63")	163,3 mm (6,43")	102 mm (4,02")	152 mm (5,98")
AW5-50B (RIM011)	54 mm (2,13")	78,5 mm (3,09")	111 mm (4,37")	126 mm (4,96")					
AW6-40B (RIM008)	54 mm (2,13")	78 mm (3,07")	97 mm (3,82")	112 mm (4,41")	155,9 mm (6,14")	16,0 mm (0,63")	188,3 mm (7,41")	102 mm (4,02")	158 mm (6,22")
AW6-60B (RIM005)	100 mm (3,94")	124 mm (4,88")	158 mm (6,22")	186,9 mm (7,36")	201,9 mm (7,95")	13,0 mm (0,51")	188,3 mm (7,41")	102 mm (4,02")	158 mm (6,22")
* with brake cal									
AW6-60B-P (RIM005)	100mm (3,94")	124mm (4,88")	158mm (6,22")	186,9mm (7,36")	201,9mm (7,95")	13,0mm (0,51")	188,3mm (7,41")	102mm (4,02")	158mm (6,22")

- **ONE SIDE OF WHEEL IS FASTENED WITH ADHESIVE**
- **EASY CHANGE OF BRAKE LININGS**

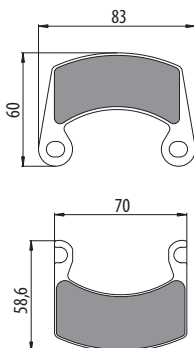


1

AW6-40B WHEEL WITH BRAKE 4.00-6" (RIM008)

TECHNICAL SPECIFICATIONS

Maximum load	1150 kg (2535 lbs)
Static load	425 kg (930 lbs)
M6-Screw Torque	10 Nm
Material	CNC Aluminium
Finish	Anodized colour
Weight	2360 g (w/o screws)
Hardware (screws...)	Steel
Brake Calliper	CP014 (2 piston)
Brake Disc	400-527 stainless steel
Brake Linings	955



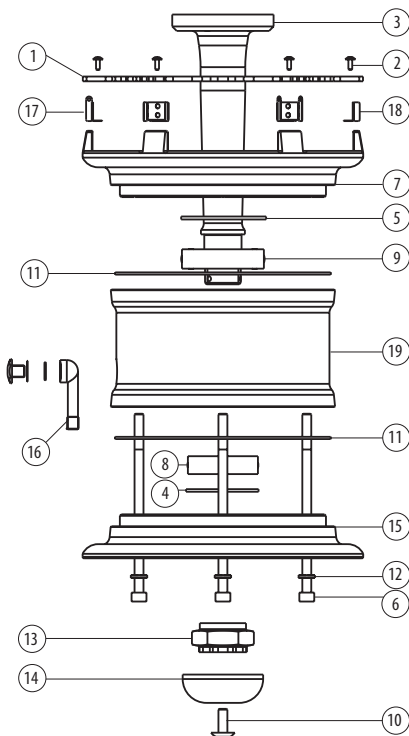
WHEEL BODY

19	1x	RIM6-40	CENTRAL PART	L = 54 mm
15	1x	RIM6-01	SIDE PART	L = 29,5 mm
7	1x	RIM6-02B	BRAKE SIDE PART	L = 44,5 mm
6	6x	DIN_912-M6X75	SCREW	M6 x 75 mm
12	6x	SHIM6	SHIM	Ø 6 mm
8	1x	L_6005_2RS	BALL BEARING	Ø47 x Ø25 / 12 mm
9	1x	L_6006_2RS	BALL BEARING	Ø55 x Ø30 / 13 mm
4	1x	D_472_23	LOCK RING	Ø47 mm
5	1x	D_472_27	LOCK RING	Ø55 mm
11	2x	O-RING-138	O-RING	Ø138 x 2 mm
16	1x	50-5098	TYRE VALVE LONG	L = 44 mm
17	3x	RIM6-06	SPRING WITH PIN	
18	3x	RIM6-07	SPRING	
2	6x	B_9524-M3X5	SCREWS TORX	M3 x 5 mm

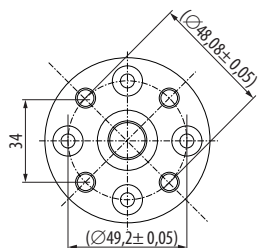
3	1x	SH6-40B	SHAFT	L = 135mm
13	1x	RIM001-8	CROWN NUT M24	M24 x 1,25
14	1x	RIM001-5A	CAP	
10	1x	M6 x 16	M6 x 16	
	2x	D_7991_5	SCREWS FOR CALLIPER	
	1x	400-527	BRAKE DISC	
	1x	CP014	BRAKE CALLIPER	

OPTIONAL

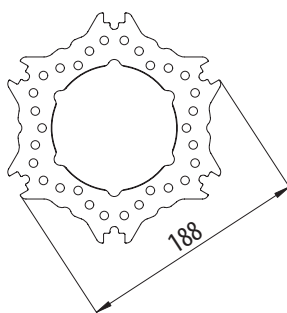
		TYRE		
--	--	------	--	--



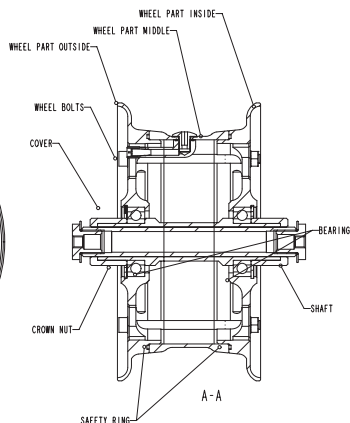
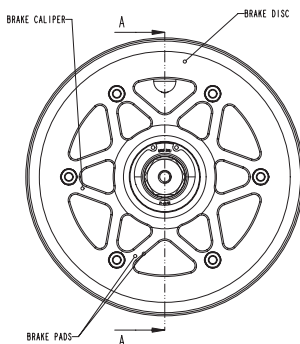
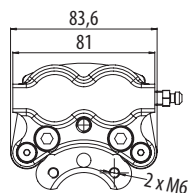
SH6-40B



400-527

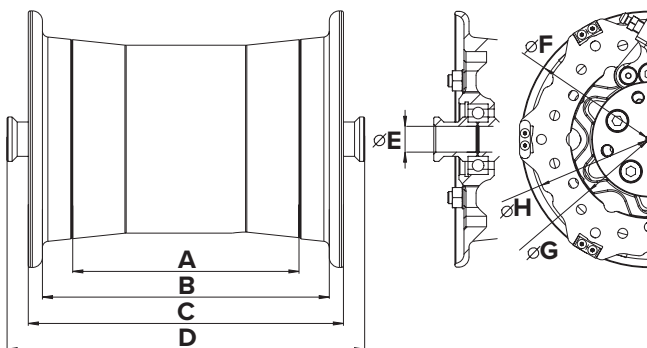


CP014



DIMENSIONS

A	54 mm (2,13")
B	78 mm (3,07")
C	112 mm (4,41")
D	140,9 mm (5,55") 155,9 mm (6,14") /w Calliper
Ø E	16,0 mm (0,63")
Ø F	188,3 mm (7,41")
Ø G	102 mm (4,02")
Ø H	158 mm (6,22")



1

AW6-40/AW6-40F NOSE WHEEL 4.00-6" (RIM 004)

TECHNICAL SPECIFICATIONS

Maximum load	1150 kg (2535 lbs)
Static load	425 kg (930 lbs)
M6-Screw Torque	10 Nm
Material	CNC Aluminium
Finish	Anodized colour
Weight	1600 g (w/o screws)
Hardware (screws...)	Steel

WHEEL BODY

⑩	1x	RIM6-40	CENTRAL PART	L = 54 mm
⑦	2x	RIM6-01	SIDE PART	L = 29,5 mm
②	6x	DIN_912-M6X90	SCREW	M6 x 90mm
③	6x	DIN_934-M6	NUT	M6
⑥	12x	SHIM6	SHIM	Ø6 mm
④	2x	L_6005_2RS	BALL BEARING	Ø47 x Ø25 / 12 mm
①	2x	D_472_23	LOCK RING	Ø47 mm
⑤	2x	O-RING-138	O-RING	Ø138 x 2 mm
⑧	1x	50-5098	TYRE VALVE LONG	L = 44 mm

SHAFT / AXLE

⑪	1x	SH6-40	SHAFT (AS: AW6-40)	L = 130 mm
		SH6-40F	SHAFT (AS: AW6-40F)	L = 104 mm
⑨	2x	RIM6-08	FITTING (AS: AW6-40)	Ø32 x 28 mm
		RIM6-10	FITTING (AS: AW6-40F)	Ø32 x 24 mm

OPTIONAL

TYRE				
⑧	50-5058			
1x	O-RING-10	O-RING		Ø10 x 1,5 mm
1x	50-5099	VALVE SCREW		
1x	50-5096	TYRE VALVE		

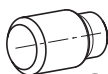
FITTINGS

AW6-40 RIM6-08
AW6-40F RIM6-10

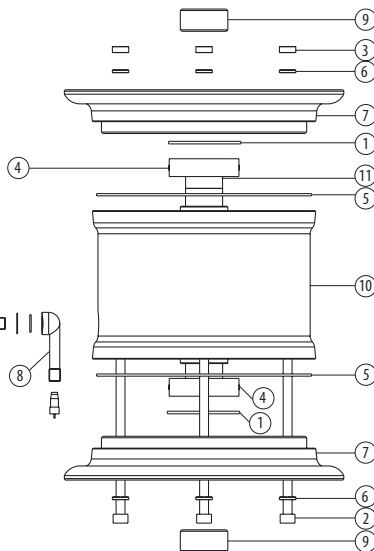
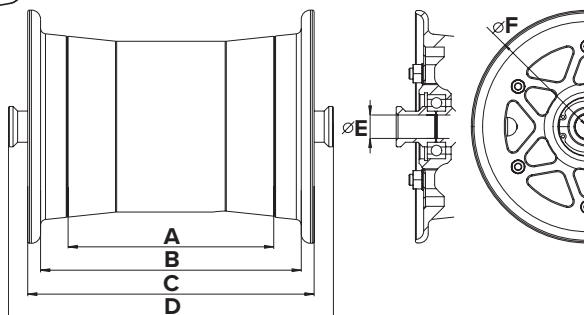


DIMENSIONS

A	54 mm (2,13")
B	78 mm (3,07")
C	97 mm (3,82")
D	130 mm (5,51") AW6-40 104 mm (4,57") AW6-40F
Ø E	20,1 mm (0,79")
Ø F	188,3 mm (7,41")



RIM001-13 FOR DYNAMIC
NON-RETRACTABLE GEAR



AW6-40D NOSE WHEEL 4.00-6" (RIM003)

only for offset wheel for Dynamic with retracting gear



1

TECHNICAL SPECIFICATIONS

Maximum load	1150 kg (2535 lbs)
Static load	425 kg (930 lbs)
M6-Screw Torque	10 Nm
Material	CNC Aluminium
Finish	Anodized colour
Weight	1550 g (w/o screws)
Hardware (screws...)	Steel

WHEEL BODY

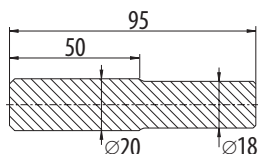
⑨	1x	RIM6-40	CENTRAL PART	L = 54 mm
⑩	1x	RIM6-01D	RIGHT SIDE	L = 43,5 mm
⑦	1x	RIM6-01	LEFT SIDE	L = 29,5 mm
②	6x	DIN_912-M6X85	SCREW	M6 x 85 mm
③	6x	DIN_934-M6	NUT	M6
⑥	12x	SHIM6	SHIM	Ø 6 mm
④	2x	L_6005_2RS	BALL BEARING	Ø47 x Ø25 / 12 mm
①	2x	D_472_23	LOCK RING	Ø47 mm
⑤	2x	O-RING-138	O-RING	Ø138 x 2 mm
⑧	1x	50-5098	TYRE VALVE LONG	L = 44 mm

SHAFT / AXLE

⑪	1x	SH6-40	SHAFTSHAFT	L = 62 mm
---	----	--------	------------	-----------

OPTIONAL

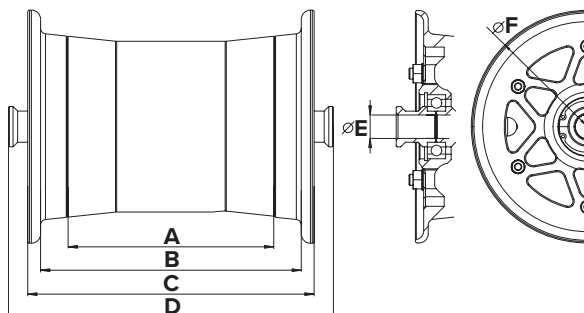
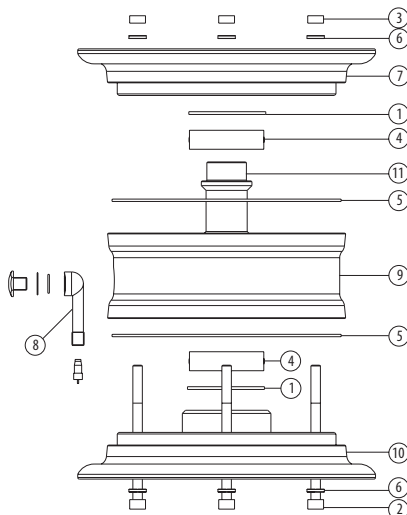
TYRE



RIM001-14 FOR RETRACKABLE GEAR

DIMENSIONS

A	54 mm (2,13")
B	78 mm (3,07")
C	97 mm (3,82")
D	62 mm
Ø E	20,1 mm (0,79")
Ø F	188,3 mm (7,41")



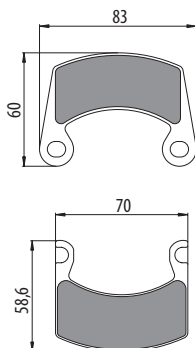
Wheels and Brakes

1

AW6-60B WHEEL WITH BRAKE 6.00-6" (RIM005)

TECHNICAL SPECIFICATIONS

Maximum load	1150 kg (2535 lbs)
Static load	425 kg (930 lbs)
M6-Screw Torque	10 Nm
Material	CNC Aluminium
Finish	Anodized colour
Weight	g (w/o screws)
Hardware (screws...)	Steel
Brake Calliper	CP014 (2 piston)
Brake Disc	400-527 stainless steel
Brake Linings	955



WHEEL BODY

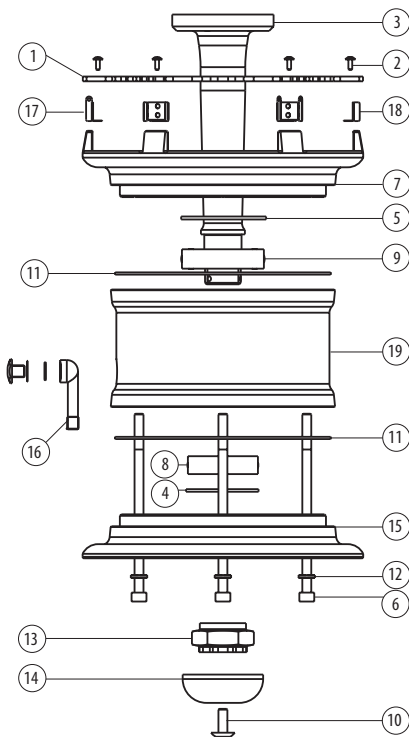
19	1x	RIM6-60	CENTRAL PART	L = 100 mm
15	1x	RIM6-01	SIDE PART	L = 29,5 mm
7	1x	RIM6-02B	BRAKE SIDE PART	L=44,5 mm
6	6x	DIN_912-M6X120	SCREW	M6 x 120 mm
12	6x	SHIM6	SHIM	Ø 6 mm
8	1x	L_6005_2RS	BALL BEARING	Ø47 x Ø25 / 12 mm
9	1x	L_6006_2RS	BALL BEARING	Ø55 x Ø30 / 13 mm
4	1x	D_472_23	LOCK RING	Ø47 mm
5	1x	D_472_27	LOCK RING	Ø55 mm
11	2x	O-RING-138	O-RING	Ø138 x 2 mm
16	1x	50-5098	TYRE VALVE LONG	L = 44 mm
17	3x	RIM6-06	SPRING WITH PIN	
18	3x	RIM6-07	SPRING	
2	6x	B_9524-M3X5	SCREWS TORX	M3x5mm

3	1x	SH6-60B	SHAFT	L = 181 mm
13	1x	RIM001-8	CROWN NUT M24	M24 x 1,25
14	1x	RIM001-5A	COTTER	
10	1x	M6 x 16	CAP	
	2x	D_7991_5	SCREWS FOR CALLIPER	

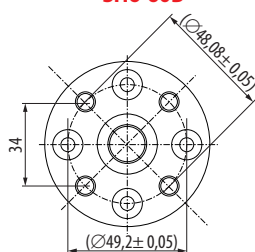
1	1x	400-527	BRAKE DISC	
	1x	CP014	BRAKE CALIPER	

OPTIONAL

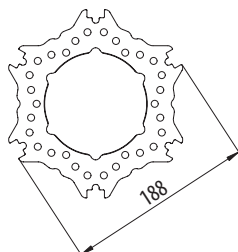
			TYRE	
--	--	--	------	--



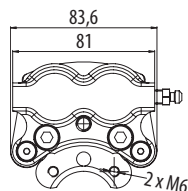
SH6-60B



400-527

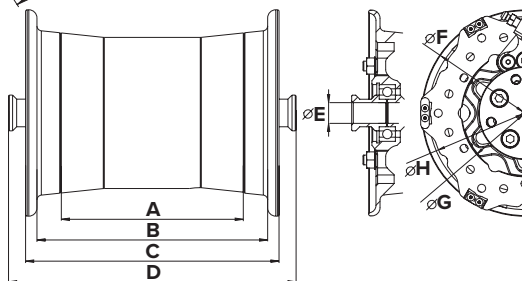


CP014



DIMENSIONS

A	100 mm (3,94")
B	124 mm (4,88")
C	158 mm (6,22")
D	186,9 mm (7,36") 201,9 mm (7,95") w/ Calliper 202,9 mm (7,99") w Dual Cal
Ø E	13,0 mm (0,51")
Ø F	188,3 mm (7,41")
Ø G	102 mm (4,02")
Ø H	158 mm (6,22")



AW6-60B-P WITH DUAL CALLIPER CP014

It is possible to order a variant of this Wheel with dual Calliper, The major difference is the shaft.

WHEEL BODY

①9	1x	RIM6-60	CENTRAL PART	L = 100 mm
①5	1x	RIM6-01	SIDE PART	L = 29,5 mm
⑦	1x	RIM6-02B	BRAKE SIDE PART	L = 44,5 mm
⑥	6x	DIN_912-M6X120	SCREW	M6 x 120 mm
⑫	6x	SHIM6	SHIM	Ø 6 mm
⑧	1x	L_6005_2RS	BALL BEARING	Ø47 x Ø25 / 12 mm
⑨	1x	L_6006_2RS	BALL BEARING	Ø55 x Ø30 / 13 mm
④	1x	D_472_23	LOCK RING	Ø47 mm
⑤	1x	D_472_27	LOCK RING	Ø55 mm
⑪	2x	O-RING-138	O-RING	Ø138 x 2 mm
①6	1x	50-5098	TYRE VALVE LONG	L = 44 mm
⑰	3x	RIM6-06	SPRING WITH PIN	
⑱	3x	RIM6-07	SPRING	
②	6x	B_9524-M3X5	SCREWS TORX	M3 x 5 mm
③	1x	SH6-60B-P	SHAFT	L = 181 mm
⑬	1x	RIM001-8	CROWN NUT M24 COTTER	M24 x 1,25
⑭	1x	RIM001-5A	CAP	
⑩	1x	M6x16	M6x16	
	4x	D_7991_5	SCREWS FOR CALLIPER	
①	1x	400-527	BRAKE DISC	
	2x	CP014	BRAKE CALLIPER	

OPTIONAL

TYRE



1

AW6-60 NOSE WHEEL 6.00-6" (RIM006)

TECHNICAL SPECIFICATIONS

Maximum load	1150 kg (2535 lbs)
Static load	425 kg (930 lbs)
M6-Screw Torque	10 Nm
Material	CNC Aluminium
Finish	Anodized colour
Weight	g (w/o screws)
Hardware (screws...)	Steel

WHEEL BODY

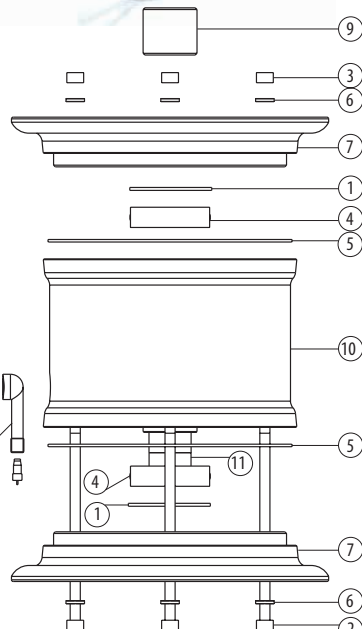
⑩	1x	RIM6-60	CENTRAL PART	L = 100 mm
⑦	2x	RIM6-01	SIDE PART	L = 29,5 mm
②	6x	DIN_912-M6X135	SCREW	M6 x 135 mm
③	6x	DIN_934-M6	NUT	M6
⑥	12x	SHIM6	SHIM	Ø 6 mm
④		L_6005_2RS	BALL BEARING	Ø47 x Ø25 / 12 mm
①	2x	D_472_23	LOCK RING	Ø47 mm
⑤	2x	O-RING-138	O-RING	Ø138 x 2 mm
⑧	1x	50-5098	TYRE VALVE LONG	L = 44 mm

SHAFT / AXLE

⑪	1x	SH6-60	SHAFT	L = 150 mm
⑨	2x	RIM6-9	FITTING	Ø32 x 15 mm

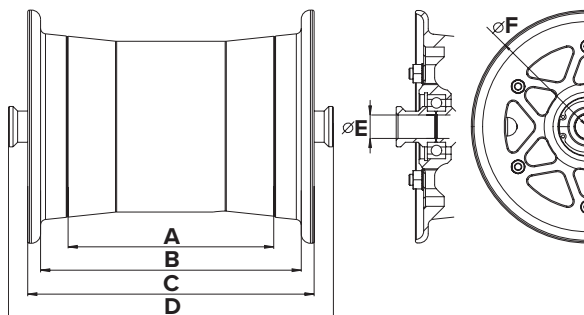
OPTIONAL

			TYRE	
--	--	--	------	--



DIMENSIONS

A	100mm (3,94")
B	124mm (4,88")
C	143mm (5,63")
D	160mm (6,3")
Ø E	17,1mm (0,67")
Ø F	188,3mm (7,41")



AW5-50 NOSE WHEEL 5.00-5" (RIM011)

1



TECHNICAL SPECIFICATIONS

Maximum load	1150 kg (2535 lbs)
Static load	425 kg (930 lbs)
M6-Screw Torque	10 Nm
Material	CNC Aluminium
Finish	Anodized colour
Weight	(w/o screws)
Hardware (screws...)	Steel

WHEEL BODY

⑩	1x	RIM5-50	CENTRAL PART	L=54 mm
⑦	2x	RIM5-01	SIDE PART	L=29,5 mm
②	5x	DIN_912-M6X135	SCREW	M6 x 75 mm
③	5x	DIN_934-M6	NUT	M6
⑥	12x	SHIM6	SHIM	Ø 6 mm
④		L_6005_2RS	BALL BEARING	Ø47 x Ø25 / 12 mm
①	2x	D_472_23	LOCK RING	Ø47 mm
⑤	2x	O-RING-138	O-RING	Ø115 x 2 mm
⑧	1x	50-5098	TYRE VALVE LONG	L = 44 mm

SHAFT / AXLE

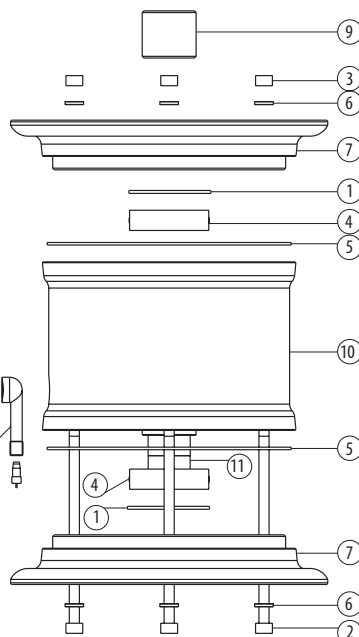
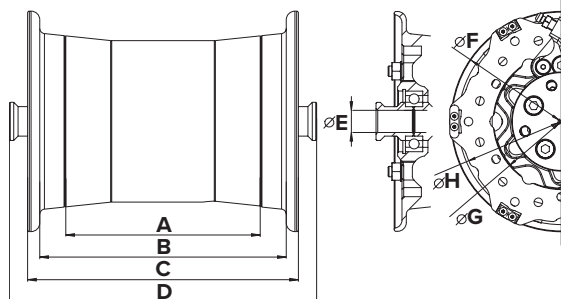
⑪	1x	SH5-50	SHAFT	L = 126 mm
⑨	2x	RIM6-9	FITTING	

OPTIONAL

		TYRE	TUBELESS
--	--	------	----------

DIMENSIONS

A	54 mm (2,13")
B	78,5 mm (3,09")
C	111 mm (4,37")
D	126 mm (4,96")
Ø E	16,0 mm (0,63")
Ø F	163,3 mm (6,43")
Ø G	102 mm (4,02")
Ø H	152 mm (5,98")

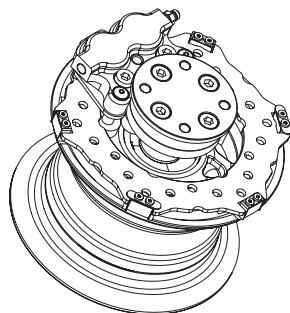
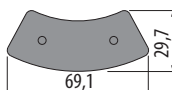
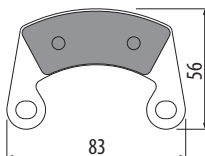


1

AW5-50B WHEEL WITH BRAKE 5.00-5" (RIM010)

TECHNICAL SPECIFICATIONS

Maximum load	1150 kg (2535 lbs)
Static load	425 kg (930 lbs)
M6-Screw Torque	10 Nm
Material	CNC Aluminium
Finish	Anodized colour
Weight	2020g (w/o screws)
Hardware (screws...)	Steel
Brake Calliper	CP014 (2 piston)
Brake Disc	400-528 stainless steel
Brake Linings	915



WHEEL BODY

18	1x	RIM5-40	CENTRAL PART	L = 54 mm
16	1x	RIM5-01	SIDE PART	L = 29,5 mm
19	1x	RIM5-02B	BRAKE SIDE PART	L = 43,5 mm
6	5x	DIN_912-M6X75	SCREW	M6 x 75 mm
13	5x	SHIM6	SHIM	Ø 6 mm
9	1x	L_6005_2RS	BALL BEARING	Ø47 x Ø25 / 12 mm
10	1x	L_6006_2RS	BALL BEARING	Ø55 x Ø30 / 13 mm
4	1x	D_472_23	LOCK RING	Ø47 mm
5	1x	D_472_27	LOCK RING	Ø55 mm
12	2x	O-RING-138	O-RING	Ø115 x 2 mm
21	1x	50-5098	TYRE VALVE LONG	L = 44 mm
17	6x	RIM5-06	SPRINGS	
20	3x	RIM5-07	DISC STOPPERS	
2	12x	B_9524-M3X5	SCREWS TORX	M3 x 5 mm

SHAFT / AXLE

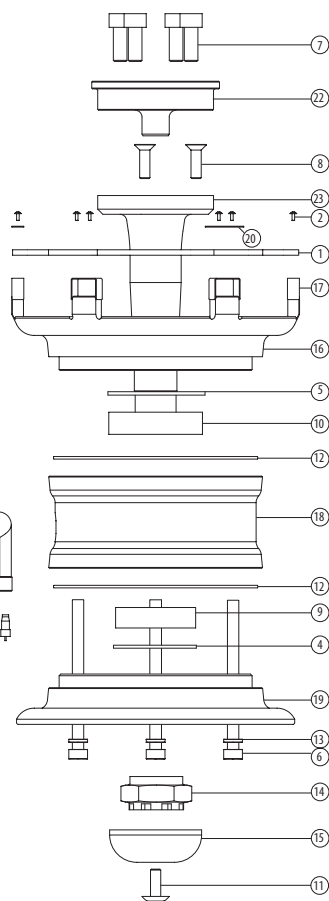
23	1x	SH6-40B	SHAFT	L = 135 mm
22	1x	SH5-40R	REDUCTION	Ø75 x 32 mm
7	4x	D_912-M8x20	SCREWS FOR REDUCTION	M8 x 20 mm
14	1x	RIM001-8	CROWN NUT M24 COTTER	M24 x 1,25
15	1x	RIM001-5A	CAP	
11	1x	M6x16	M6x16	
18	2x	D_7991_5	SCREWS FOR CALLIPER	

BRAKE SYSTEM

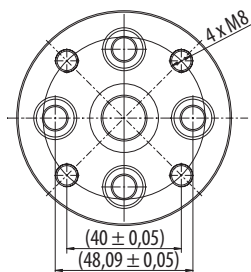
1	1x	400-528	BRAKE DISC
3	1x	CP014	BRAKE CALIPER

OPTIONAL

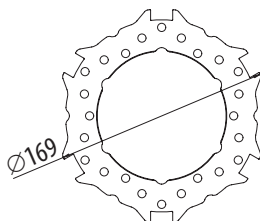
		TYRE	
--	--	------	--



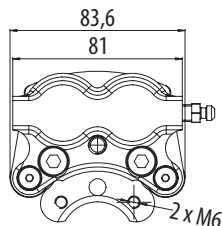
SH5-40R



400-528

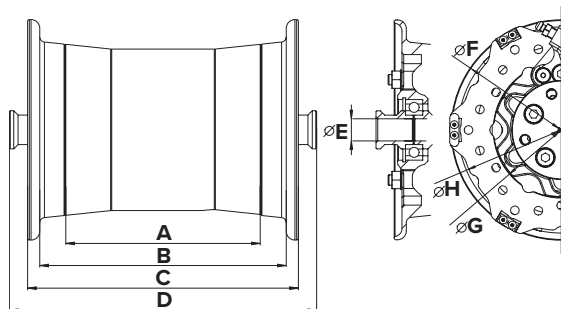


CP014

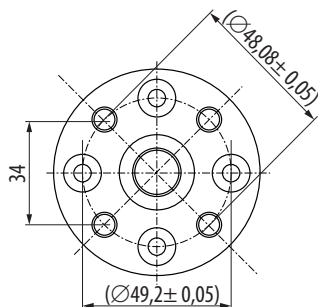


DIMENSIONS

A	54 mm (2,13")
B	78,5 mm (3,09")
C	111 mm (4,37")
D	140,9 mm (5,55")
	155,9 mm (6,14") /w Calliper
Ø E	16,0 mm (0,63")
Ø F	163,3 mm (6,43")
Ø G	102 mm (4,02")
Ø H	152 mm (5,98")



SH6-40B



1

AW4-35 NOSE WHEEL 3.50-4" (RIM002)

TECHNICAL SPECIFICATIONS

Maximum load	525 kg (1157 lbs)
Static load	185 kg (407lbs)
M6-Screw Torque	6 Nm
Material	CNC Aluminium
Finish	Anodized colour
Weight	750g (w/o screws)
Hardware (screws...)	Steel

WHEEL BODY

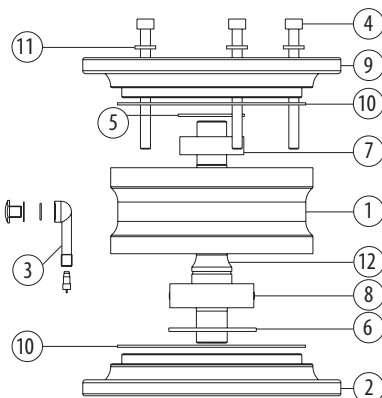
①	1x	RIM002-2	CENTRAL PART	L = 43mm
②	1x	RIM002-1	RIGHT SIDE	L = 21mm
⑨	1x	RIM002-3	LEFT SIDE	L = 20mm
④	5x	DIN_912-M5X85	SCREW	M5 x 85mm
⑪	5x	SHIM5	SHIM	Ø 5mm
⑦	1x	L_6002_2RS	BALL BEARING	Ø32 x Ø19 x 9 mm
⑧	1x	L_6004_2RS	BALL BEARING	Ø42 x Ø20 x 12 mm
⑤	1x	D_472_16	LOCK RING	Ø32 mm
⑥	1x	D_472_21	LOCK RING	Ø42 mm
⑩	2x	O-RING-92	O-RING	Ø92x2 mm
③	1x	50-5097	TYRE VALVE SHORT	L = 39 mm

SHAFT / AXLE

⑫	1x	SH4-35	SHAFT DURALUMIN	L = 111 mm
---	----	--------	-----------------	------------

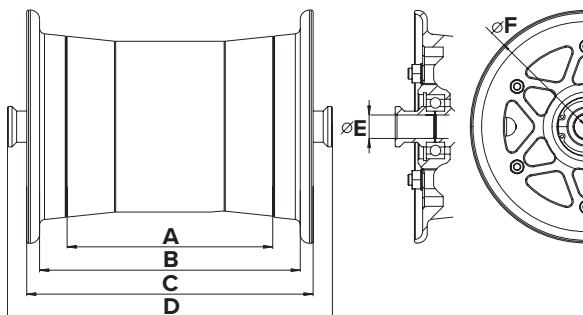
OPTIONAL

TYRE				
③	50-5057			
1x	O-RING-10	O-RING		Ø10 x 1.5 mm
1x	50-5099	VALVE SCREW		
1x	50-5096	TYRE VALVE		
1x		LOCK RING		Ø20 mm



DIMENSIONS

A	43 mm (1,69")
B	58 mm (2,28")
C	74 mm (2,91")
D	111 mm (4,37")
Ø E	8,3 mm (0,33")
Ø F	129 mm (5,08")



AW4-50TT BUSH TAILWHEEL 5.00-4'' (RIM015)

1

TECHNICAL SPECIFICATIONS

Maximum load	kg (lbs)
Static load	kg (lbs)
M6-Screw Torque	10Nm
Material	CNC Aluminium
Finish	Anodized colour
Weight (no tyre)	g (w/o screws)
Hardware (screws...)	Steel

WHEEL BODY

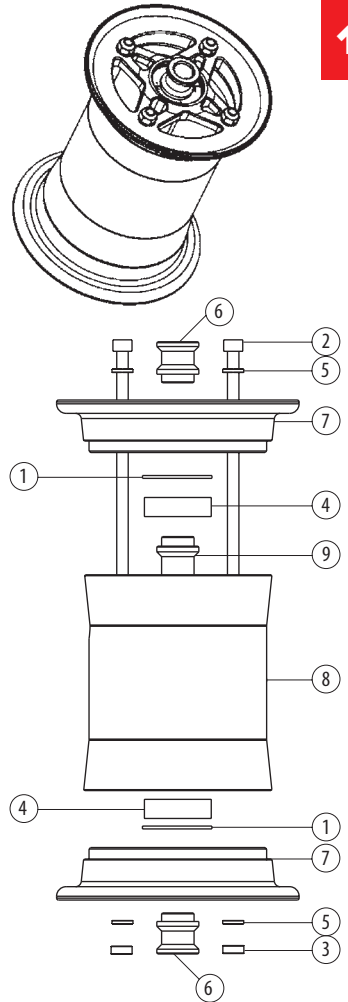
⑧	1x	RIM4-50T	CENTRAL PART	L = 113 mm
⑦	2x	RIM4-01T	SIDE PART	L = 27,5 mm
②	4x	DIN_912-M6X155	SCREW	M6 x 155mm
③	4x	DIN_934-M6	NUT	M6
⑤	8x	SHIM	SHIM	Ø 6 mm
④	2x	L_6003_2RS	BALL BEARING	Ø35 x Ø17 x 10 mm
①	2x	D_472_17	LOCK RING	Ø35 mm

SHAFT / AXLE

⑪	1x	SH4-50	SHAFT DURALUMIN	L = 113 mm
⑥	2x	RIM4-08	FITTINGS	Ø22 x 17 mm

OPTIONAL

TYRE	ALASKAN BUSHWHEEL 11 x 5 x 4 PN# 1154 1-800-442-8473
------	---

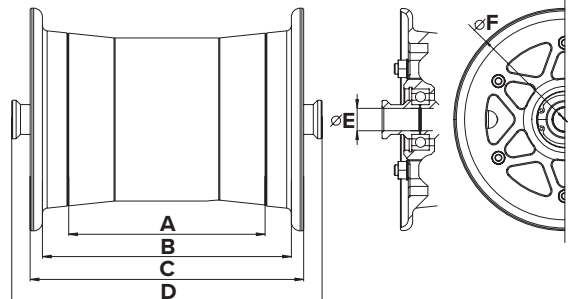


CUSTOMIZATION

Other fitments are available on demand.

DIMENSIONS

A	113 mm (4,45")
B	142 mm (5,59")
C	156 mm (6,14")
D	177 mm (6,97")
Ø E	12,8 mm (0,50")
Ø F	127 mm (5")

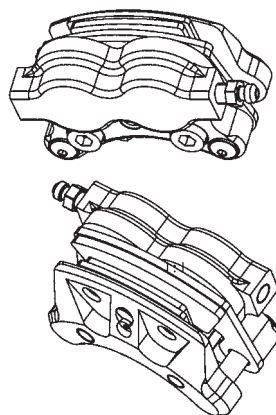


2 UL Caliper P014 for GOLDfren wheels AW5 & AW6



TECHNICAL CHARACTERISTICS

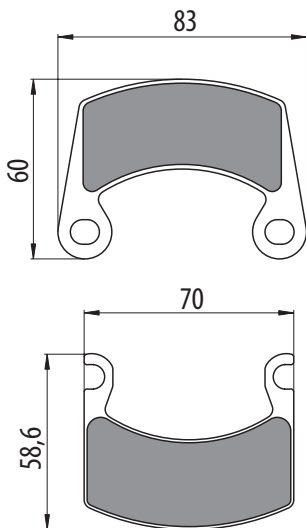
Pistons ø	2 x 25,3 mm (Stainless steel)
Material	CNC Aluminum
Finishing	Colour Anodizing
Brake Fluid	DOT.4
Max pressure	65 bar / 942psi
Hardware	Steel
Brake linings	5" wheels – Type 915 6" wheels – Type 955



Brake linings and brake discs for **GOLDfren** caliper:

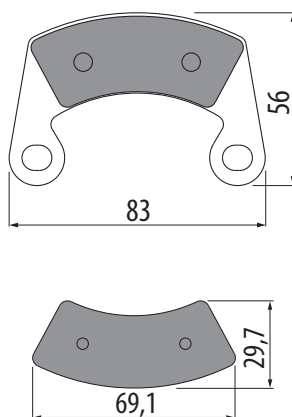
**FOR WHEEL WITH BRAKE
4.00 – 6", 6.00 – 6"
BRAKE LININGS –
Type 955**

(WITH BRAKE DISC
400-527)



**FOR WHEEL WITH BRAKE
5.00 – 5"
BRAKE LININGS –
Type 915**

(WITH BRAKE DISC
400-528)



Aircraft UL Caliper CP 008 Part No. 70-03-CP008

ACCESSORIES FOR GF CALIPER

Bleeding screw
M 8 x 1

Bleeding screw cover
90-50011

O-ring for piston / O-kroužek pro pístek ø 25 mm
90-50004

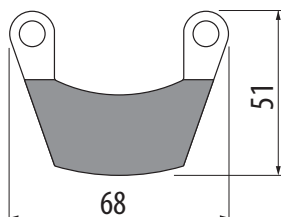


2

Note: Our calipers can be anodized in following colours : black, gold, blue, orange

TECHNICAL CHARACTERISTICS

Piston ø	25,3 mm
Construction Material	CNC Aluminium
Finishing	Colour Anodizing
Weight (without pads)	170,5 g
Brake Fluid	DOT.4
Max. pressure	60 bar / 870 psi
Hardware	Steel
Pistons	Stainless steel
Brake linings	Type 900



2

**Aircraft
UL Caliper
CP 009
Part No. 70-03-CP009**



ACCESSORIES FOR GF CALIPER

Bleeding screw
M 8 x 1

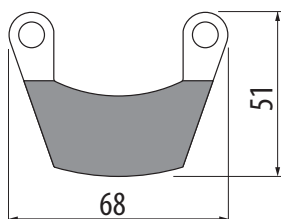
Bleeding screw cover
90-50011

O-ring for piston / O-kroužek pro pístek ø 25 mm
90-50004

Note: Our calipers can be anodized in following colours : black, gold, blue, orange

TECHNICAL CHARACTERISTICS

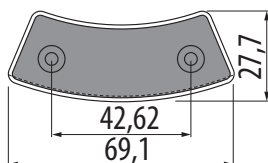
Piston ø	25,3 mm
Construction Material	CNC Aluminium
Finishing	Colour Anodizing
Weight (without pads)	175 g
Brake Fluid	DOT.4
Max. pressure	60 bar / 870 psi
Hardware	Steel
Pistons	Stainless steel
Brake linings	Type 900



**Aircraft
UL Caliper
CP 010
Part No. 70-03-CP010**

TECHNICAL CHARACTERISTICS

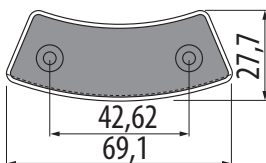
Pistons ø	2 x 44,3 mm
Construction Material	CNC Aluminium
Finishing	Hard Anodizing
Weight (without pads)	750 g
Brake Fluid	DOT.4
Max. pressure	
Hardware	Steel
Pistons	Stainless steel
Brake linings	Type 4x 919 + 1x des_903_919



**Aircraft
UL Caliper
CP 011
Part No. 70-03-CP011**

TECHNICAL CHARACTERISTICS

Piston ø	50,7 mm
Construction Material	CNC Aluminium
Finishing	Hard Anodizing
Weight (without pads)	500 g
Brake Fluid	DOT.4
Max. pressure	
Hardware	Steel
Pistons	Stainless steel
Brake linings	Type 2x 919 + 1x des_939_919



2

Axles

TECHNICAL CHARACTERISTICS

Dimensions of axles fittings are stated in mm	Druhy uchycení os jsou uvedeny v milimetrech.
Axles are made from special duralumin	Osy jsou vyrobeny ze speciálního duralu.
Surface treatment: Anodising	Povrchová úprava: eloxováním
Other fitments are made on demand	Jiná provedení uchycení je možné na objednávku.
There are various types of axles available: <ul style="list-style-type: none"> for wheel fork that is fitted on both ends for cantilever mounting 	K dispozici jsou různé typy os: <ul style="list-style-type: none"> Pro vidlici kola, která je uchycena z obou stran Pro konzolovou instalaci



Suitable for e.g. (for undercarriage wheel)



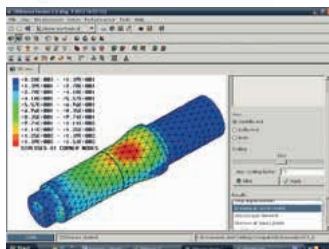
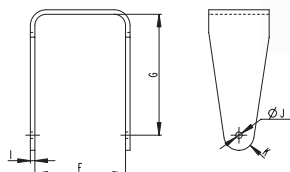
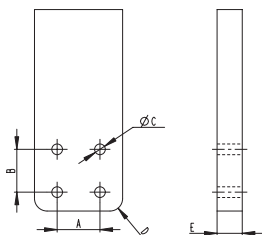
Suitable for e.g. (for undercarriage wheel)



Suitable for e.g. (for nose wheel)

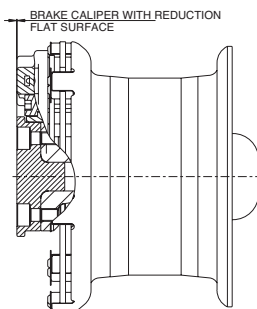
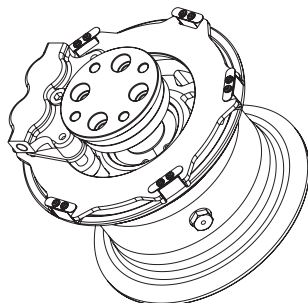
Undercarriage axles – shafts:

Nose wheel axles:



SPACER

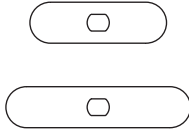
Part No. SP001-29



Parking brake valve – BV001

Lever
– form A (50 mm)

Lever
– form AL (65 mm)

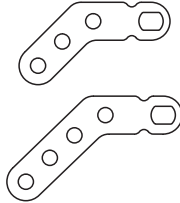


Lever
– form B

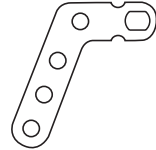


Lever
– form C

Lever
– form CL (long)



Lever
– form DL (long)



Variants of parking brake valve BV001 with extension piece and with lever form A, AL, B, C or CL

With **extension piece**, you can choose from 3 types of levers – form A, AL, B, C or CL.
Total length **including the extension piece is 81 mm** x width 63 mm

Part No. BV001-S-A
(with extension + lever A)

Part No. BV001-S-B
(with extension + lever B)

Part No. BV001-S-C
(with extension + lever C)

Part No. BV001-S-AL
(with extension + lever AL long)

Part No. BV001-S-CL
(with extension + lever CL long)



Variants of brake valve BV001 without extension piece with lever form B, C, CL or DL

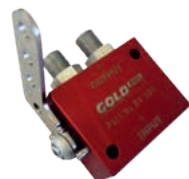
We offer to our customers a shortened version, **without extension piece – length 58 mm** x width 63mm.
In this case, there is no extension piece and the lever is connected straight on the valve – it is possible to only use lever form B, C, CL or DL.

Part No. BV001-B
(without extension + lever B)

Part No. BV001-C
(without extension + lever C)

Part No. BV001-DL
(without extension + lever DL long)

Part No. BV001-CL
(without extension + lever CL long)

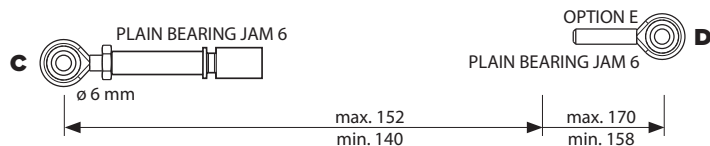
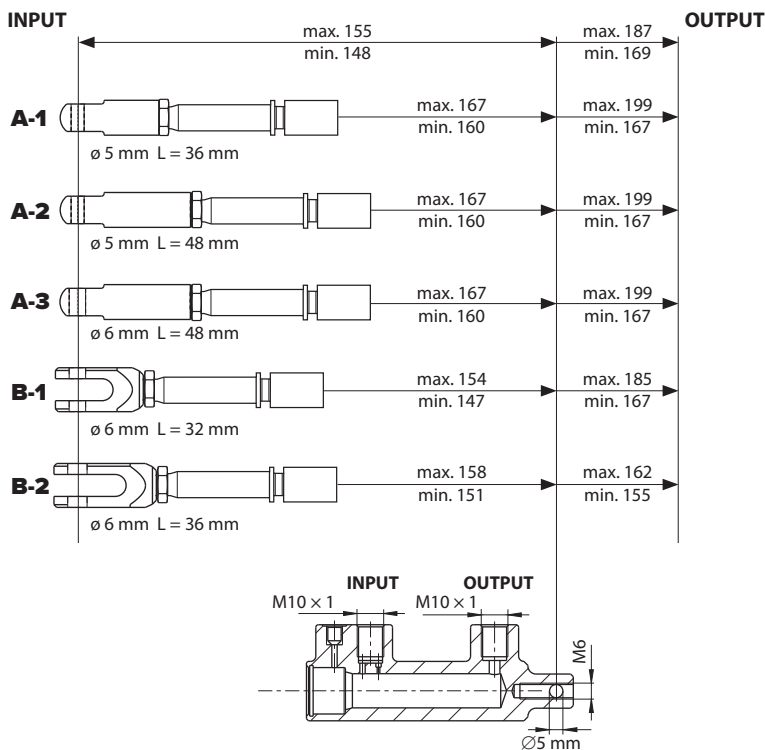


5

Master cylinder – BC006

- Part. No. BC006-A-1**
- Part. No. BC006-A-2**
- Part. No. BC006-A-3**
- Part. No. BC006-B-1**
- Part. No. BC006-B-2**
- Part. No. BC006-C**

- Part. No. BC006-A-1-D**
- Part. No. BC006-A-2-D**
- Part. No. BC006-A-3-D**
- Part. No. BC006-B-1-D**
- Part. No. BC006-B-2-D**
- Part. No. BC006-C-D**



Brake valve

Aluminum reservoirs for brake fluid

**Part.No. BFR-002
BFR-003**

6

BFR-002 ... 15 ml

BFR-003 ... 25 ml



CNC machined aluminum brake fluid reservoirs. We offer reservoirs with volume of 15 and 25 ccm with different covers, which meet the high standards of quality. Large range of accessories allows individual and universal range of application.

- volume 15 and 25ccm
- CNC machined aluminum
- universal application
- standard 90° outlet
- with level indicator
- to connect the container to the brake pump other fittings are available at an additional cost

Optional variants of connecting the brake fluid reservoirs (at additional cost)



Master cylinders

6

**Plastic reservoirs for brake fluid BFR-001 - 15 ml
Part.No. BFR-001**

**BFR-001
with outlet 0°**



**BFR-001
with outlet 45°**



Plastic reservoirs with volume of 15 ml and with two different bottom outlets.

- Small reservoir for brake fluid
- Made from plastic
- Volume of 15 ml
- Two optional outlets vertical 0° and oblique 45°
- Height 55 mm and Ø approx. 45 mm

7

Lever for master cylinder

**Lever – Part. No. BCH-001
with master cylinder BC006-B-1**



Couplings and manifolds for brake hoses

Distributors (Vario) as two or three way dividing blocks. We provide our products in aluminum of stainless steel. We offer Vario and pressed dividing blocks and distributors in different color variants.

2-way manifold:

2-way manifold 90° threaded



2-way manifold 180° threaded



3-way manifold:

3-way coupling with drill



3-way manifold Vario



3-way manifold threaded



9

Stahlflex brake hoses

Brake hoses GOLDfren have slim design and are available for all hydraulic braking systems. Company GOLDfren is able to react to individual customer needs. The range of brake hoses GOLDfren is regularly being actively expanded.



TECHNICAL CHARACTERISTICS

Connection	aluminum or stainless steel
Production	of our own CNC machined components
Colors	UV and weather resistant
Twisting	All connection can be twisted
Attachment	can be twisted and laid without tension
Sleeve	stainless INOX press sleeve
Pressing	Micropressing system with maximum security
ABE/TÜV	All hoses TÜV/ABE (MFK)
Quality	detailed production documentation
Sheating	UV resistant PVC-Sheath
Line outside	highly flexible INOX steel braiding
Line inside	PTFE Teflon® inner core

Brake hoses

Variants of brake hoses for UL/aircraft

Variants of brake hoses – there are three variants to choose from (two are very similar and the third one is different) – a price calculation is based on a provided sketch/drawing:

1. Variant – SECURELY PRESSED

Hoses are firmly pressed fittings on both ends. The diameter of the hose is about 8mm + fittings – threaded or eye-fittings are 12-15 mm. This is to provide the highest possible tightness of the hoses.

In production, it is necessary to know exact dimensions, so correct fittings can be pressed to the hose.

It's necessary to provide precise schematic with dimensions and design. The question is, if these fittings will be suitable when being pulled through the body of an aircraft.



2. Variant – VARIO

Hoses are conceived in a way, that on one end, the fitting is firmly pressed in a housing, but the fitting on the other end uses VARIO system, this means a pressed housing, from which comes a narrow ending with external thread, to which an eye-fitting will be connected.

This allows the hose without fitting on one end to be easily pulled through the body of an aircraft. Diameter of the end of the hose is only 8 - 9 mm and connects to the eye-fitting.

It is possible to make it so that the fittings on both ends are VARIO system. Below are some examples of VARIO hoses and fittings that can be threaded on the housings.



3. Variant – SB

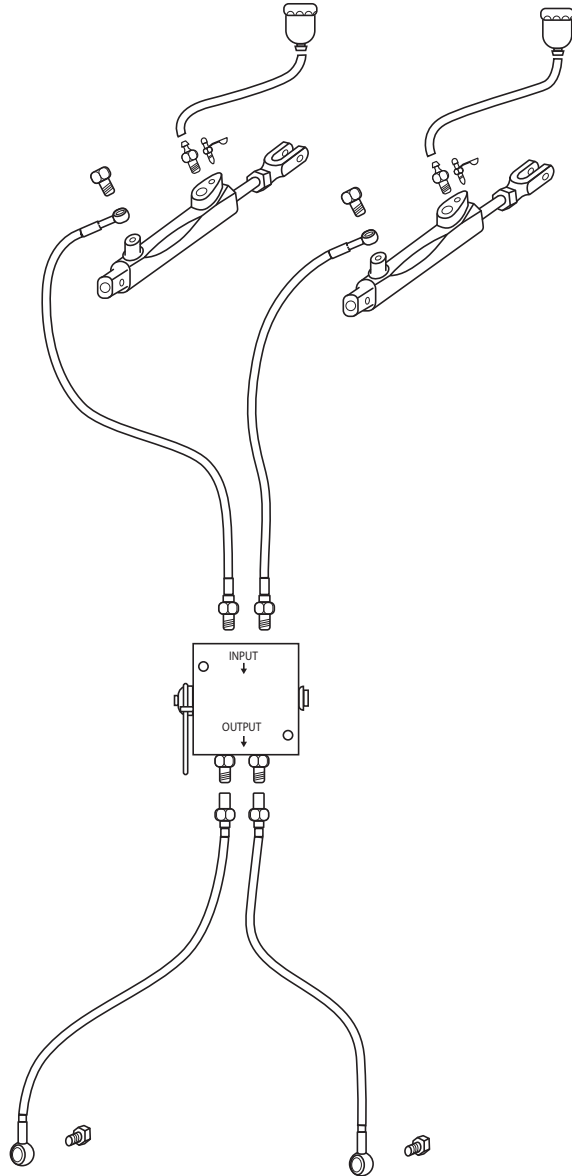
A variant „SB“ - a diameter of the hose is \varnothing 5,5 mm (sold by the meter), the customer will customize the length for his needs. The fittings are supplied for pressing by customer.

Example of „SB“ hose-union to connect hoses



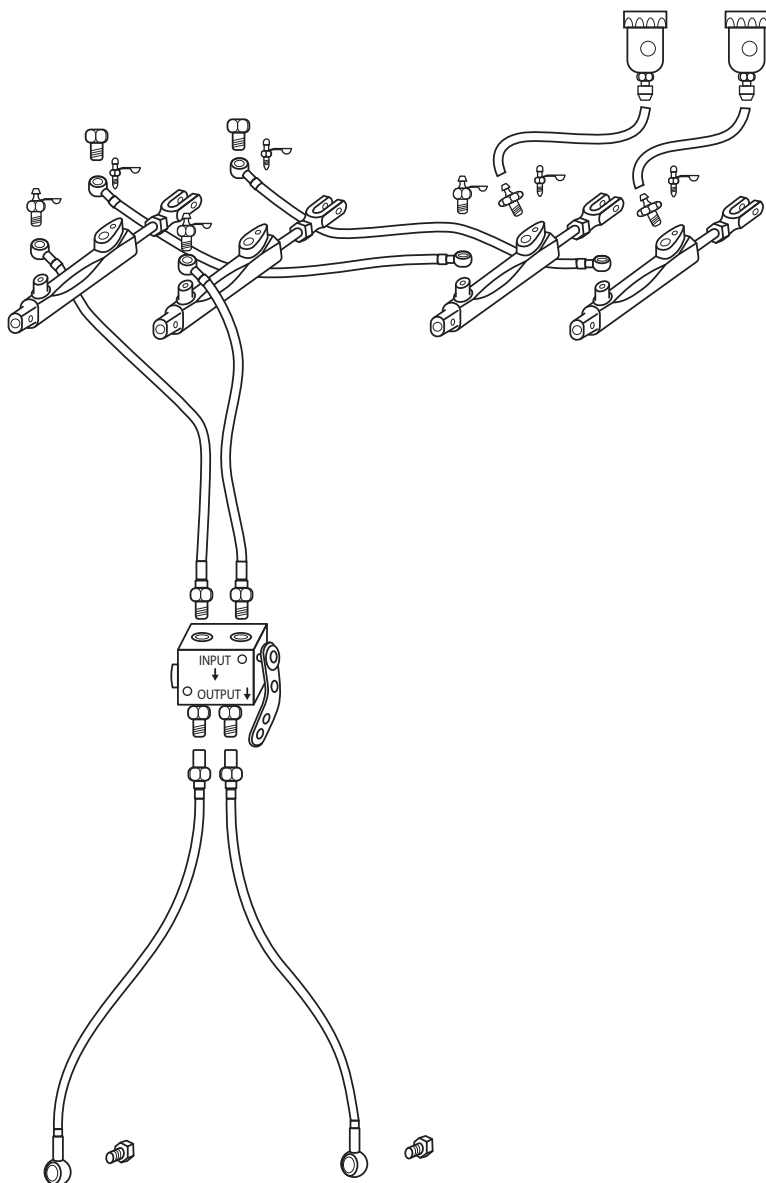
9 Schematics – the connection options between brake components

SCHEMATIC 1



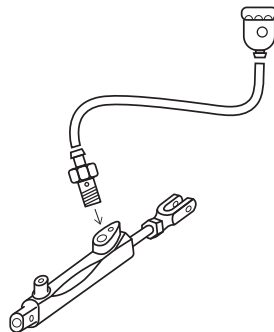
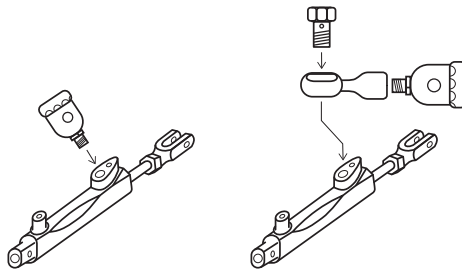
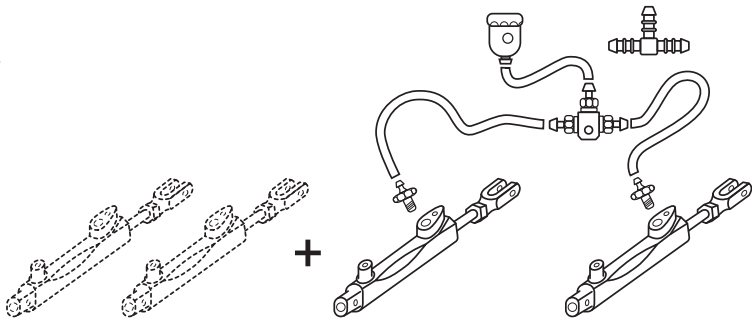
**Schematics – the connection options between
brake components**

SCHEMATIC 2



9 Schematics – the connection options between brake components

SCHEMATIC 3



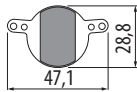
Recommended tyres size for GOLDfren wheels

10

Wheel size → Tyre size ↓	200 x 50	3.50-40"	4.00-5"	5.00-5"	4.00-6"	6.00-6"
200 x 50	X					
2.80/2.50-4"		X				
3.00-4"		X				
4.00-4"		X				
11 x 4.00-5"			X			
5.00-5"				X		
380 x 150-5" (15x6.00-5")				X		
13 x 5.00-6"					X	
4.00-6"					X	
15 x 6.00-6"					X	X
6.00-6"					X	X
7.00-6"						X
8.00-6"						X
8.50-6"						X
26"						X
29"						X
31"						X

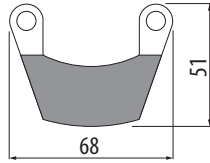
Tyres size

818



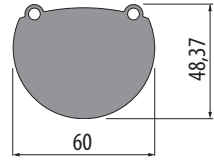
For Magura Caliper
For Ultralight ZENAIR ZODIAC
IKARUS C42

900



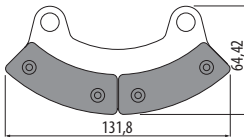
DYNAMIC, WT9, DIN 236-II, EUROSTAR, SPORTSTAR,
HARMONY LSA

901



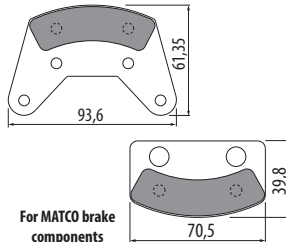
Ultralight

903



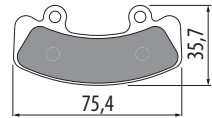
CESSNA, PIPER
IT IS POSSIBLE TO USE SEGMENTS - TYPE 919
2 pieces set

904



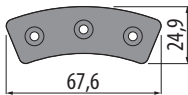
For MATCO brake
components
(TECNAM - P92 ECHO)

905



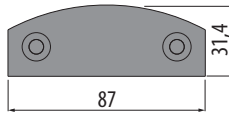
TECNAM
Sierra RG P2002
P96 GOLF

906



Aerofab, BEECH, CESSNA, Bellanca, DIAMOND,
Champion, PIPER, Partenavia, UNIVAIR, Socata
TECNAM, ZENITH - Zodiac CH 601 UL
Compatible with brake lining: RAPCO 066-10600,
GROVE 066-106, CLEVELAND 066-10600, Old P/N 66-
106, 066-0200, 66-2, 066-0300, 66-3, 66-56, 66-57
AIRBORNE 310, 311, PIPER 752-308, 752-309

907



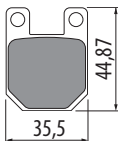
Brake pads for TRIXY AVIATION

908



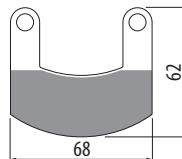
Beechcraft brake pads

912



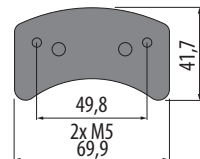
TL ULTRALIGHT
TL-96 Star
TL-2000 Sting
TL-232 Condor

913



EUROFOX ULTRALIGHT

914



AIRCRAFT ZEPHYR

915

BRAKE PADS for dd caliper CP007 for ULTRALIGHT GOLDfren caliper for ULTRALIGHT WHEELS

916

AIRCRAFT ZLIN

918R

Compatible with brake lining:
RAPCO 66-109
CLEVELAND 066-30026, 066-10900
MCCAULEY B30026
AIRBORNE 487

918

PIPER, CESSNA with RIVETS

919

Compatible with brake pads:
RAPCO 66-105, CLEVELAND 066-10500, OLD P/N 66-105, 66-03000, 66-30, 66-55, AIRBORNE 313, BEECHCRAFT 36-8001-73, CESSNA 66-30, PIPER 752-342

919R

PIPER, CESSNA with RIVETS
CIRRUS S22
Compatible with brake lining:
RAPCO 066-06200, 66-19 (FAA-PMA)
CLEVELAND 066-06200, Old P/N 66-62

925

EUROFOX WT9 DYNAMIC

927

FOR ULTRALIGHT CALIPER

928

TL ULTRALIGHT STING S4
For Beringer caliper

929

MULTI-ROLE HELICOPTER GAZELLE

930R

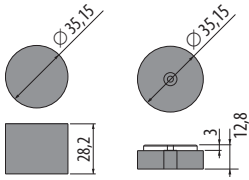
COMPATIBLE WITH BRAKE LINING:
CLEVELAND 066 - 04400
RAPCO 066 - 04400
BEECH - CESSNA

931

D027

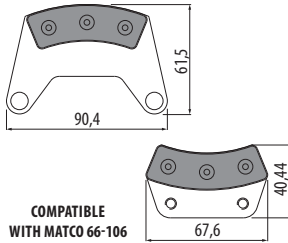
11

932



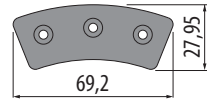
D027

933



COMPATIBLE WITH MATCO 66-106

934



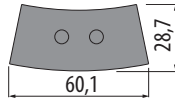
Compatible with CLEVELAND 066-14100

935



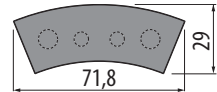
Compatible with CLEVELAND 066-11100 RAPCO RA66-111 BEECH - CESSNA - MOONEY

936



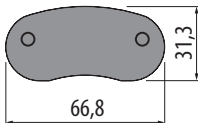
Compatible with CLEVELAND 066-03300

937



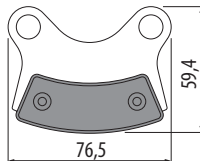
Compatible with CLEVELAND 066-03600

938



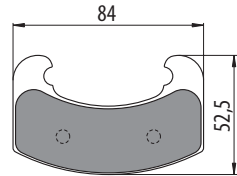
FOR LAMBADA (AIRCOM CALIPER) SAMBA MICROLIGHT

939



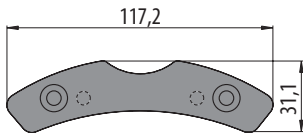
THIS TYPE USES FRICTION SEGMENTS: GF CP 011 939-918 GF CP 011 939-919 AS A COUNTERPART FOR SINGLE PISTON MATCO CALIPER

951



FOR BERINGER CALIPER

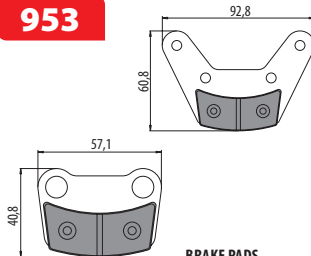
952



ROTOR BRAKE PADS FOR MTOSPORT/MT03 MOUNTED (2010)

EQUIVALENTS OEM 63-51-00-C-31054

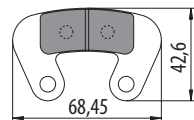
953



BRAKE PADS

EQUIVALENTS OEM 32-40-00-S-30044

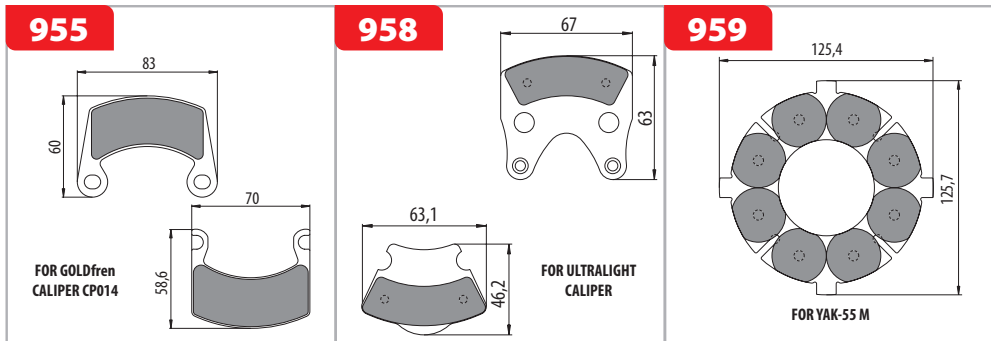
954



FOR BERINGER CALIPER

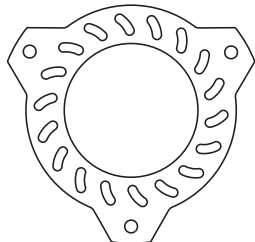
Brake Pads

34



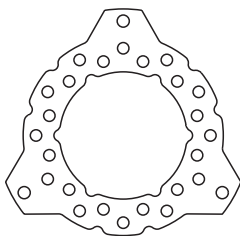
12

400-505



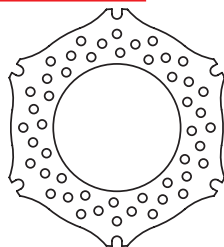
Ultralight WT9 DYNAMIC

400-505B



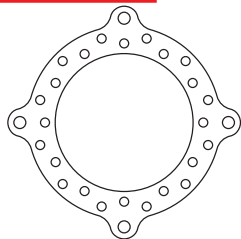
Ultralight WT9 DYNAMIC

400-511



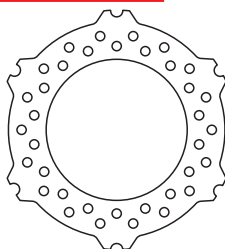
ATEC 122 ZEPHYR 2000

400-520



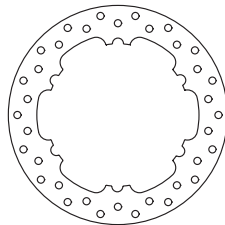
For CT SW ultralight
+ TECNAM P 2002 Sierra

400-522



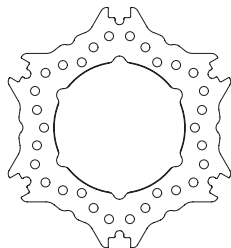
For GOLD fren ultralight wheels

400-526



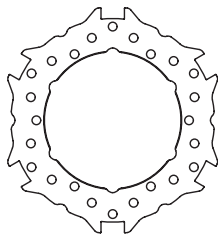
For GOLDfren wheel RIM 009

400-527



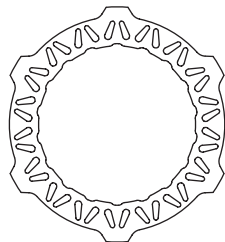
For GOLDfren wheel RIM 008 4.00 – 6", 6.00 – 6"

400-528



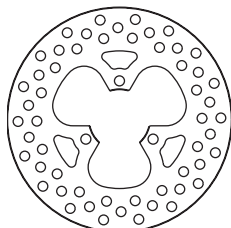
For GOLDfren wheel RIM 010 5.00-5"

400-528



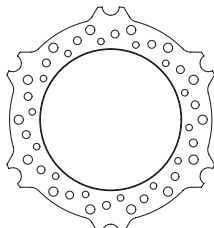
NIRVANA AUTOGYRO

429-504



TL-3000 Sirius

429-505



TL STING

Brake Discs

Aircraft Brake Linings - Competitor Interchange Chart

GOLDfren	RAPCO	MANUFACTURER	CLEVELAND	MATCO
818				
900				
901				
903				
904				P/N: WHLB RL-1
905				
906	RA 066-10600	GROVE 066-106	P/N. 066-10600,Old P/N.66-106, 066- 0200, 66-2, 066- 0300, 66-3,66-56, 66-57	WHLM 66-106
907				
908				
910				
912				
913				
914				
915				
916				
918	RA 66-109		P/N. 066-30026, 066-10900	
918 R				
919	RA 66-105	GROVE 66-105	P/N.066-10500, Old P/N. 66-105, 66-03000, 66-30, 66-55,	
919 R	RA 066-06200		P/N.066-06200, Old P/N.66-62	
924				
925				



Aircraft Brake Linings - Competitor Interchange Chart

GOLDfren	RAPCO	MANUFACTURER	CLEVELAND	MATCO
926				
927				
928			P/N. PQT 003(A), 004(A)	ZEA 01
929				
930	RA 066-04400		P/N. 066-04400	
931				
932				
933				
934			P/N.066-14100	
935			P/N.066-11100	
936	RA 66-33		P/N.066-03300	
937			P/N.066-03600	
938				
939				for single piston MATCO caliper
951		for Beringer	P/N.PQT - 010 (A)	
952		63-51-00-C- 31054		
953		32-40-00-S- 30044		
954		for Beringer		
955		for GOLDfren		
956				
957				
958				
959		for YAK-55-M		

BRAKE COMPONENTS

GOLDfren brake components are dedicated to ultralight aircraft. Their brake efficiency markedly exceeds the OEM brake components performance and by this they assure not only greater safety but also enable landing on the shortest runway. **GOLDfren** brake linings are made of sintered materials and do not contain dangerous asbestos or lead. Brake lining material composition does not cause excessive brake disc wear.

We recommend using our brake pads along with **GOLDfren brake discs**. **GOLDfren brake discs** are made of high quality stainless steel which is resistant to high load and adverse weather conditions.

With **GOLDfren brake components**, you can reach high quality and perfect braking performance for reasonable price!



Pads production in our factory



www.goldfren.com

GOLD fren®



**Funded by
the European Union**

www.goldfren.com

SPACEK PRODUCT
Poběžovice 29, 534 01 Holice
Czech Republic
Tel.: +420 466 682 065
Tel.: +420 466 009 452
Fax: +420 466 682 027
E-mail: goldfren@goldfren.com